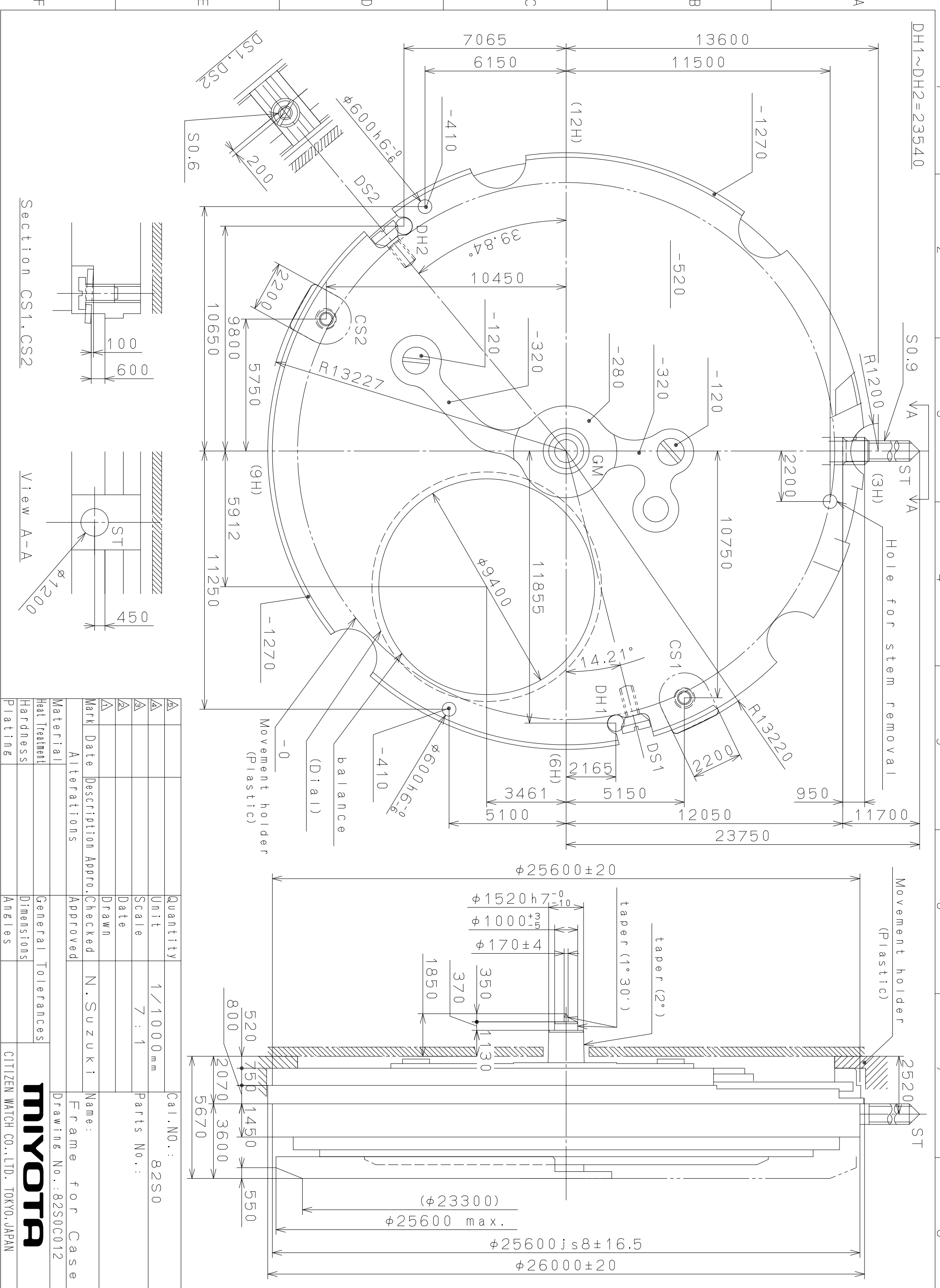


This drawing is provisional and subject to our reconfirmation and/or revision without notice.



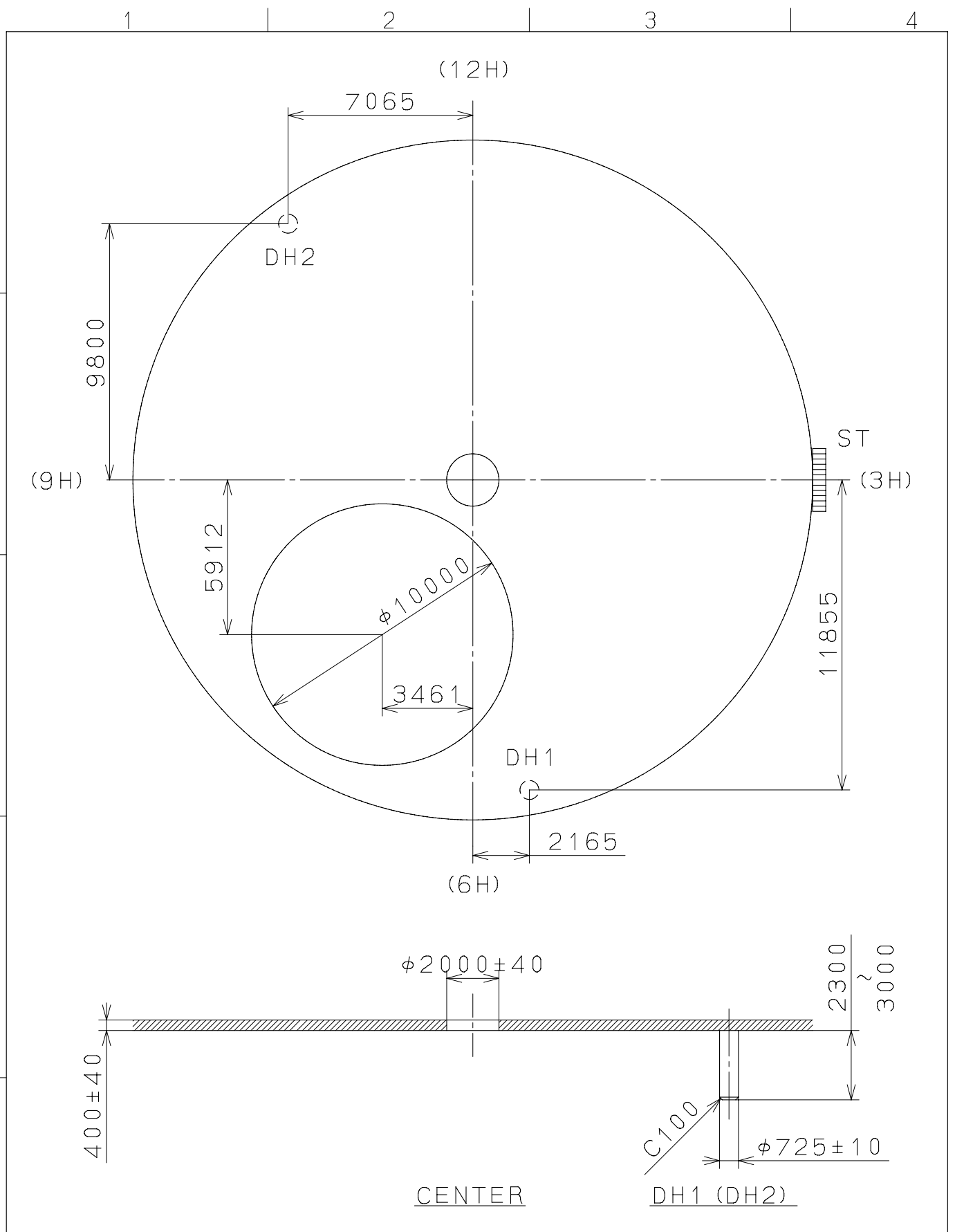
Section CS1, CS2

View A-A

Material	Alterations	Quantity	Unit	Cal. NO.:
Heat Treatment	Date	1	1/1000 mm	82S0
Hardness	Description	Scale	7 : 1	Parts No.:
Plating	Checked	Drawn	N. Suzuki	Name:
	Approved			Frame for Case
				Drawing No.: 82S0C012
				MIYOTA
				CITIZEN WATCH CO., LTD. TOKYO, JAPAN

2008/05/13 (14:06:23)

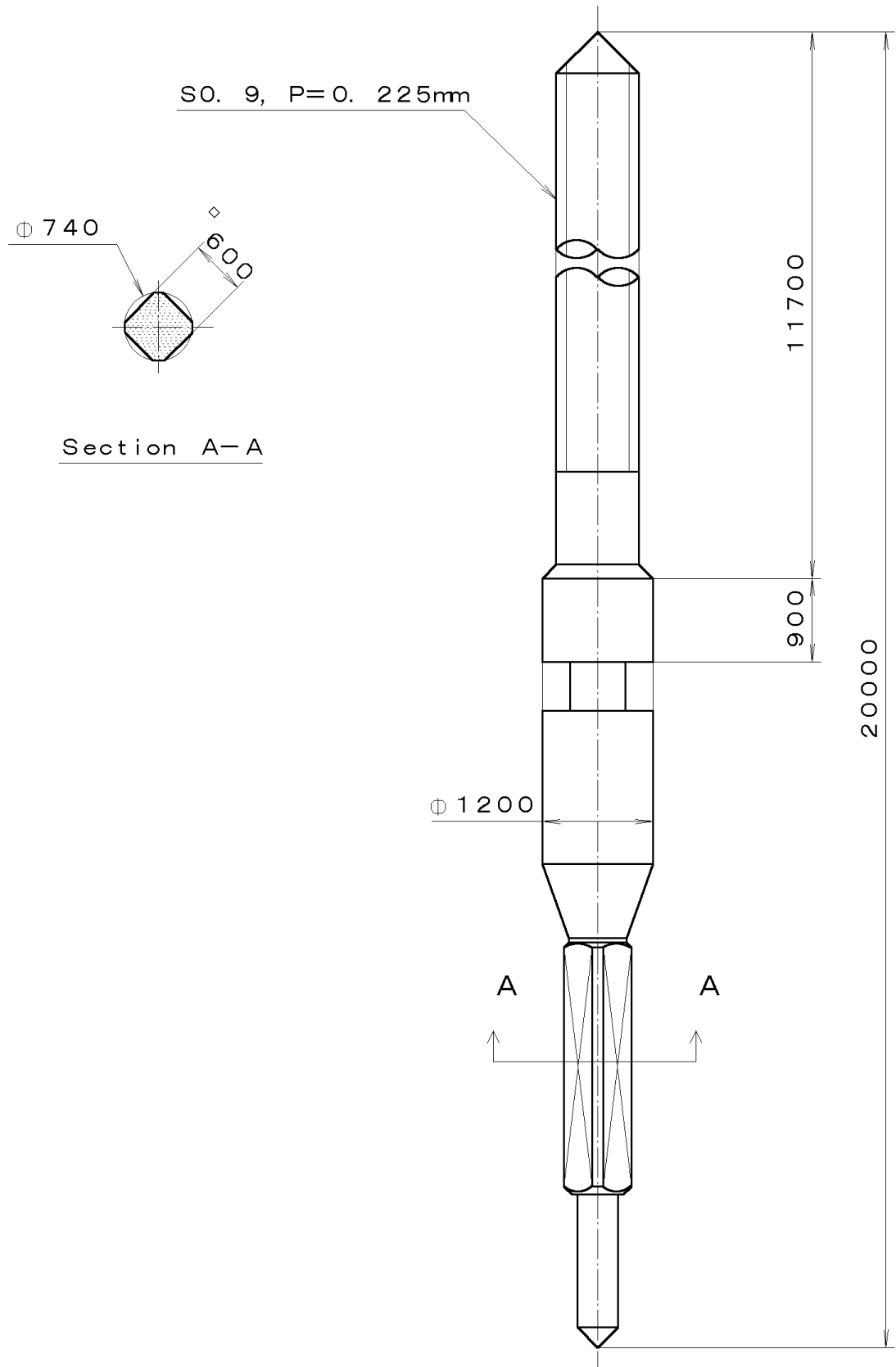
This drawing is provisional and subject to our reconfirmation and/or revision without notice.



△			Quantity		Cal.NO.:
△			Unit	1/1000 _{mm}	82S0-21A
△			Scale	5:1	Parts No.:
△			Date		
△			Drawn		
Mark	Date	Description	Appr.	Checked	Name:
		Alterations		Approved	Indications for Dial
Material					Drawing No.:82S0D000
Heat Treatment				General Tolerances	MIYOTA
Hardness				Dimensions	
Plating				Angles	
					CITIZEN WATCH CO.,LTD. TOKYO,JAPAN

This drawing is provisional and subject to our reconfirmation and/or revision without notice.

*** T I P W (01) *** (2100 1121) 00-09-18



7			Quantity		Cal. No. :
6			Unit	1/1000 mm	Parts:
5			Scale	15:1	
4			Date		Name:
3			Drawn		
2			Checked	T. Hiruta	Drawing No. : 2120S000
1			Approved		
Material					
Heat Treatment			General Tolerances		
Hardness			Dimensions		CITIZEN WATCH CO.,LTD. TOKYO, JAPAN
Plating			Angles		

